



MODEL H5378

3/4 HP ELECTRIC MOTOR

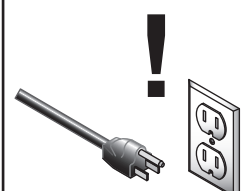
INSTRUCTION SHEET

Model H5378 Specifications


Power 3/4 HP
 Cycle..... 60Hz
 Voltage 110/220V
 Prewired 110V
 Amps 9/4.5A
 RPM..... 3450
 Phase Single
 Class..... B
 Start Capacitor 200MFD 125VAC
 Dimensions..... 1 1/2"D x 2 3/8"L

Electrical Safety

If you are unsure how to attach wires to terminals, DO NOT continue. Contact a qualified electrician for assistance. Connecting wires improperly may cause them to come loose or contact other wires, which can cause electrocution, fire, or a short.

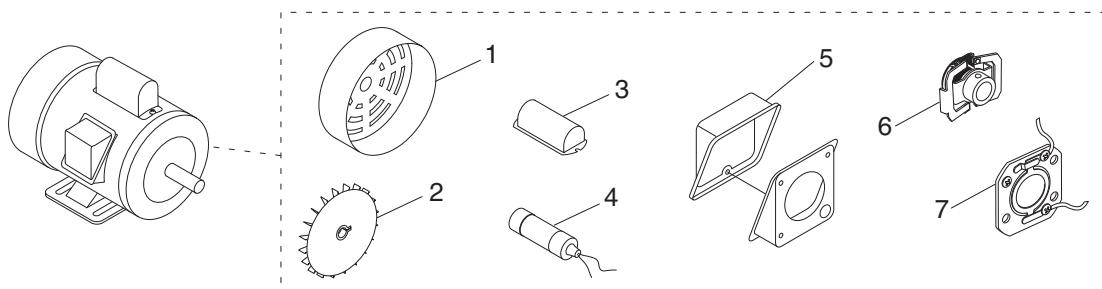


! WARNING
 Disconnect power when replacing motor. Failure to do this may result in serious personal injury.



! WARNING
 Electrocution or fire could result if this motor is not grounded correctly or if your wire connections do not comply with local and state codes. Ensure compliance by checking with a qualified electrician!

Replaceable Parts

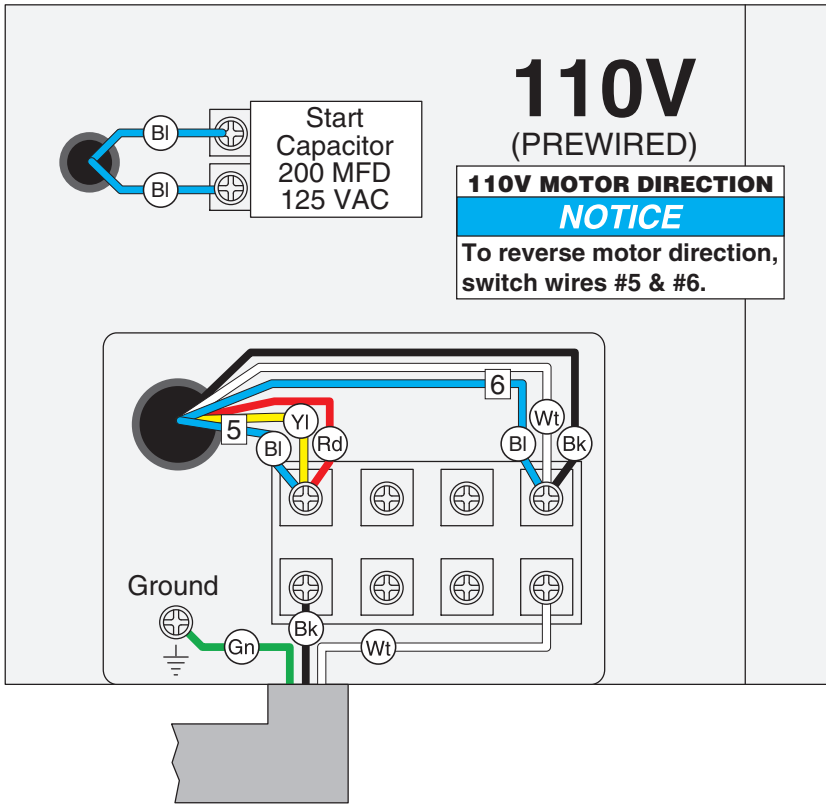


REF	PART #	DESCRIPTION
1	PH5378001	MOTOR FAN COVER
2	PH5378002	MOTOR FAN
3	PH5378003	S CAPACITOR COVER
4	PC200C	S CAPACITOR 200M 125V 1-1/2 X 2-3/8

REF	PART #	DESCRIPTION
5	PH5378005	JUNCTION BOX
6	PH5378006	CENTRIFUGAL SWITCH
7	PH5378007	CONTACT PLATE

COPYRIGHT © DECEMBER, 2007 BY GRIZZLY INDUSTRIAL, INC.
WARNING: NO PORTION OF THIS INSTRUCTION SHEET MAY BE REPRODUCED IN ANY SHAPE OR FORM WITHOUT THE WRITTEN APPROVAL OF GRIZZLY INDUSTRIAL, INC.
 #JB10238 PRINTED IN TAIWAN

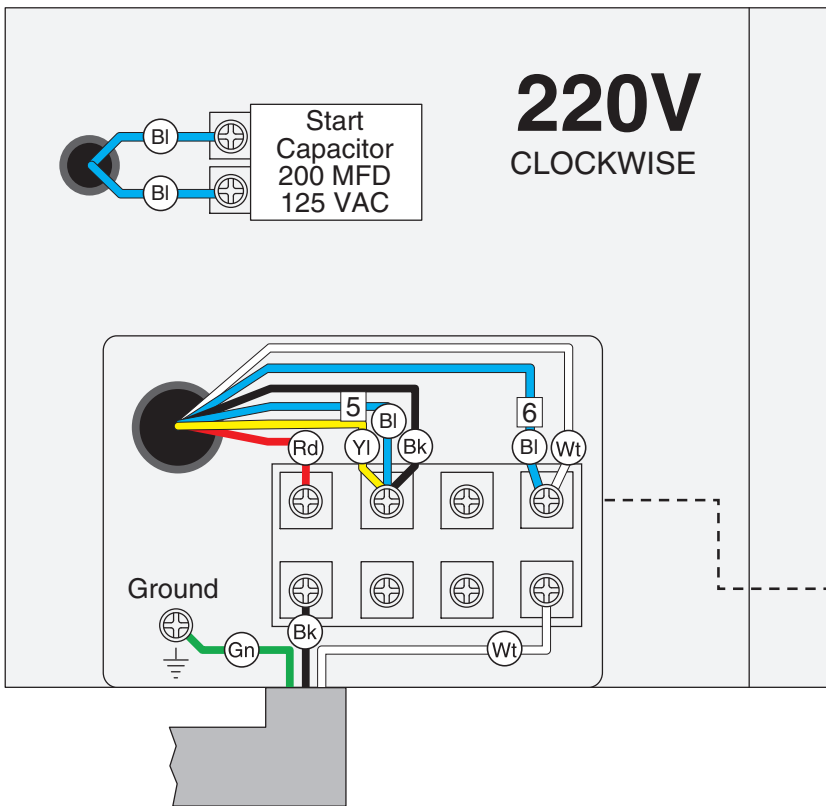
H5378 Wiring Diagram



View this page in color at
www.grizzly.com.

COLOR KEY

BLACK	— Bk —
WHITE	— Wt —
GREEN	— Gn —
RED	— Rd —
YELLOW	— Yl —
BLUE	— Bl —



NOTICE
The motor wiring shown here is
current at the time of printing, but it
may not match your machine.
Always use the wiring diagram
inside the motor junction box.

